

TRAY STYLE CARTONS

Single Sidewall / Single Endwall / Hinged Cover Converter Glued

SIX CORNER (POINT) BEERS (a.k.a.) BIERS

The six corner Beers tray as shown in Figures 1A and 2A is glued by the converter and shipped flat to the customer. It is typically set up and loaded by hand.

A variation on this basic style includes conventional Beers corners at the front of the base tray and front cover. There are bellows or gussets in the rear corners. This variation is illustrated in Figures 1B and 2B.

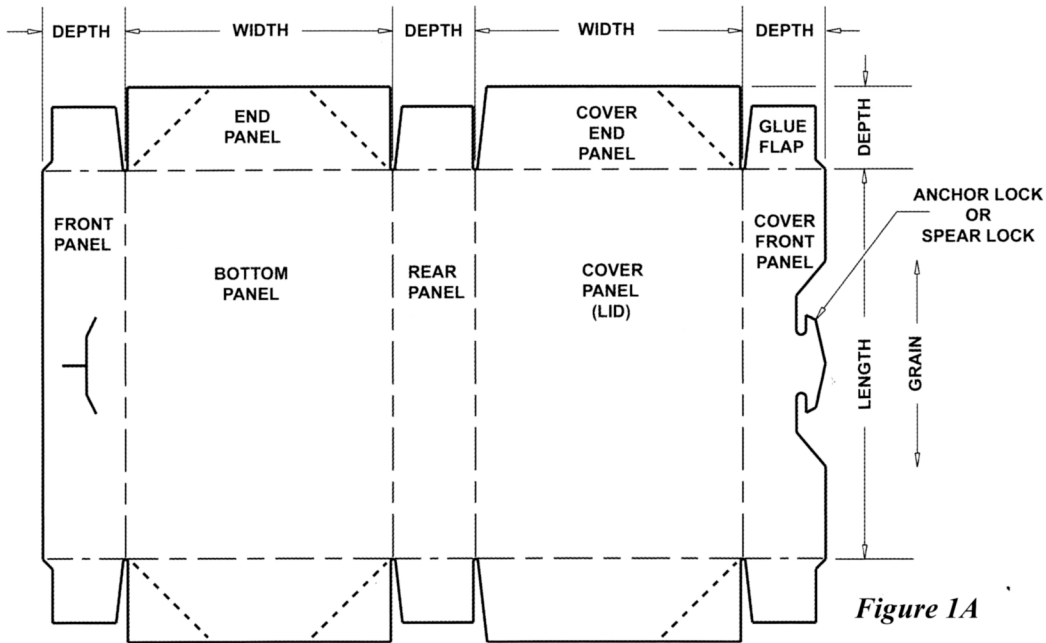


Figure 1A

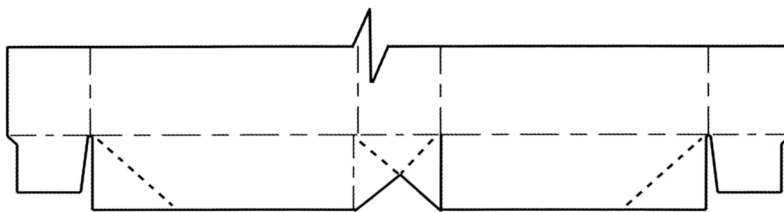


Figure 1B

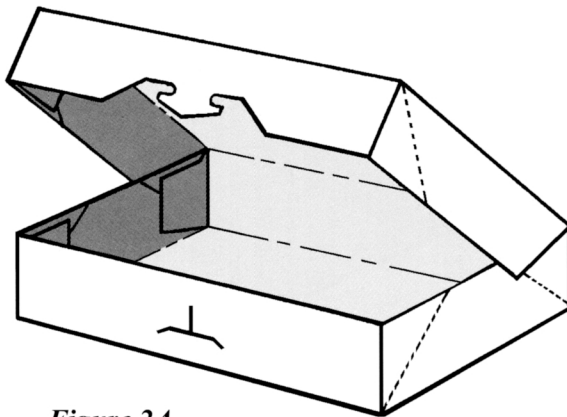


Figure 2A

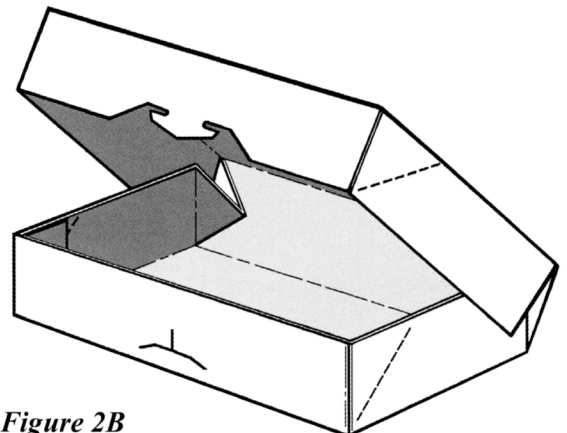


Figure 2B